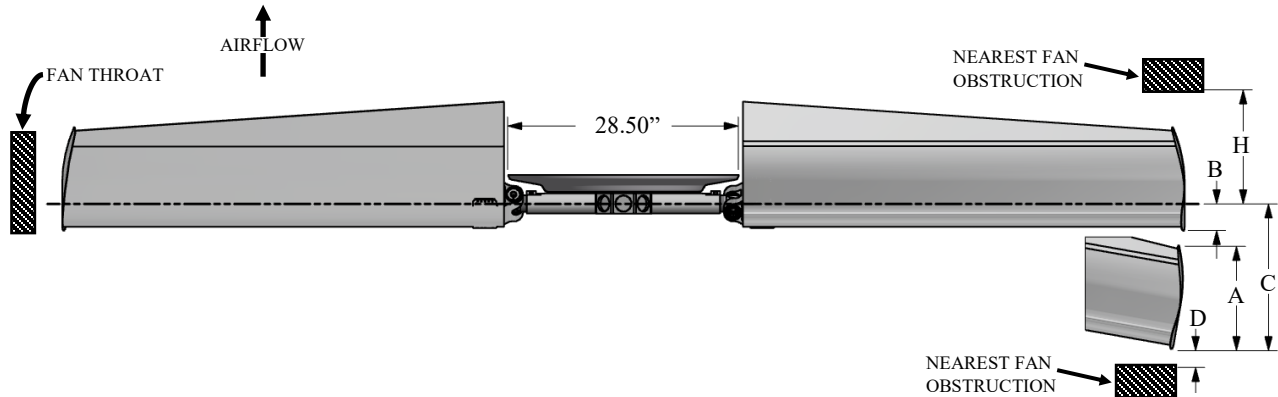
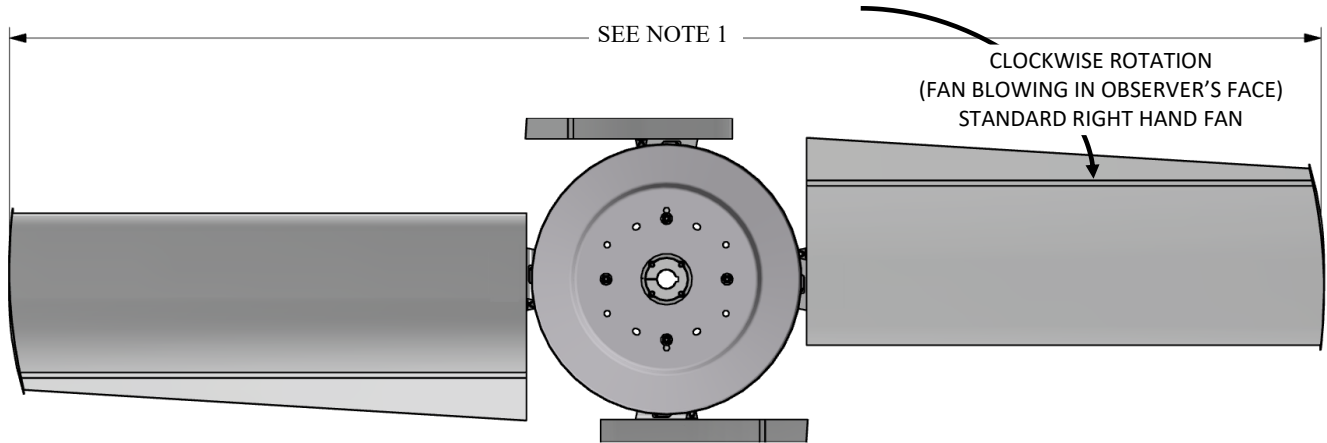


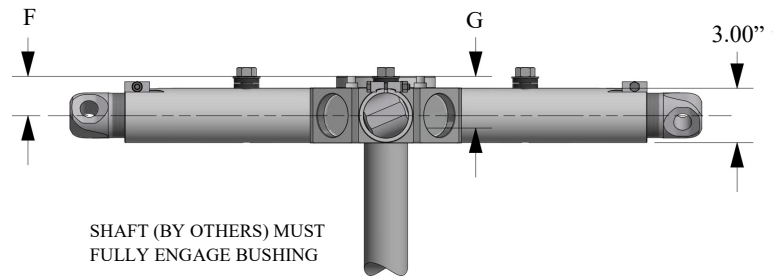
CLASS 10000 HD SERIES 30 XC

RH ROTATION



- A = BLADE TIP THICKNESS @ 19° BLADE ANGLE
- B = RUNNING POSITION OF BLADES
- C = MAXIMUM DROOP POSITION OF BLADES
- D = MINIMUM OBSTACLE CLEARANCE AT INLET
- F = CENTERLINE OF FAN TO BASE OF BUSHING
- G = BUSHING OVERALL HEIGHT
- H = MINIMUM OBSTACLE CLEARANCE AT OUTLET
- I = NOMINAL MECHANICAL HUB DIAMETER
- L = MAXIMUM BUSHING TORQUE FT. LBS.
- # = WITH S.A.E. STANDARD SQUARE KEYWAY
- * = WITH SHALLOW KEYWAY IN BUSHING
- o = MAX METRIC BORE WITH STANDARD KEYWAY

BUSHING AND/OR AIR SEAL
CAN BE INSTALLED ON INLET
OR OUTLET SIDE OF FAN



**WITH FAN OPERATING AT
12000 FT/MINUTE BLADE TIP SPEED**

DIA	PERCENT BLADE LOADING		C	D	H	
	100%	75%				
	A	B				
7.5'	14.9"	10.8"	10.4"	11.6"	4.0"	16"
8'	14.6"	11.0"	10.5"	12.0"	4.0"	16"
9'	13.9"	11.4"	10.7"	12.8"	4.0"	16"
10'	13.2"	12.0"	11.1"	13.9"	4.0"	16"
11'	12.5"	12.7"	11.5"	15.1"	4.0"	16"
12'	11.8"	13.4"	11.9"	16.3"	4.0"	16"
13.5'	10.8"	14.8"	12.9"	18.8"	4.0"	16"

NOTE 1:
MAXIMUM FAN DIAMETER EQUALS NOMINAL FAN DIAMETER.
ADJUSTMENT OF ±1.5 INCHES* POSSIBLE AT INSTALLATION
*BLADES WITH ATEX TIPS HAVE ADJUSTMENT OF -1.0" & +2.0"
ON DIAMETER

MAX BLADES	BUSHING TYPE	MAX # BORE	MAX * BORE	MAX o BORE	F	G	L
7	U	2.750"	2.938"	75	2.0"	2.7"	4000
7	W	3.750"	4.000"	100	2.2"	2.8"	7300